

RMP 200

Programmable I/O Controller



"Partners in Production"

www.apialliance.com

RMP 200

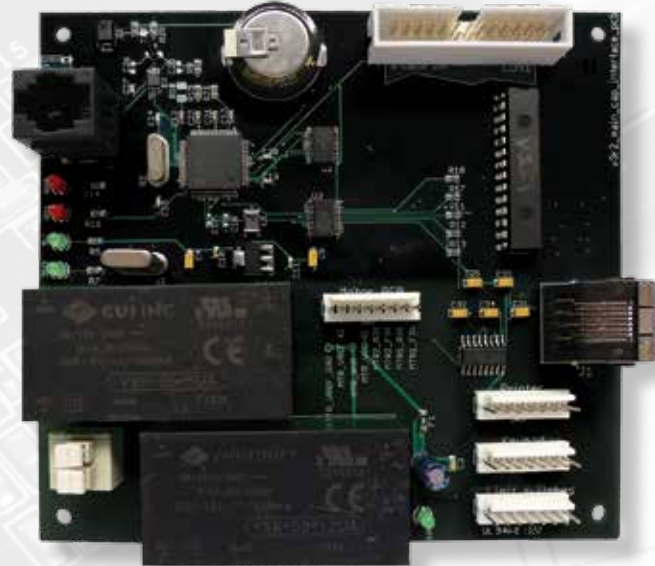
The RMP 200 is an **Adaptable Product Controller** that can even serve as a **Cost-Effective PLC Alternative** in some applications.

We created the RMP Product Family to offer you state of the art technology in an easily programmed and adaptable/customizable format to allow for updating existing product controls with technologies, such as:

- ▶ 4mA 20mA transducer input
- ▶ Ribbon cable connector for:
 1. Parallel interface to alphanumeric character display
 2. Up to 4 x 5 matrix keypad
- ▶ 9.3.3V Digital I/O with optional software selectable pullups internal to PIC
- ▶ USB dual virtual com port to
 1. RS232, DB9
 2. Serial UART PIC
- ▶ Bluetooth, RN42 module, auto-discovery, 9600 band serial com to PIC
- ▶ ISCP, RJ11
- ▶ RTCAbout the RMP

APPLICATIONS:

- ▶ Food Processing Equipment
- ▶ Material Handling
- ▶ Automated Tester



For more information: contact **KURT WEBBER** - kwebber@apialliance.com **260.637.2739 x111**

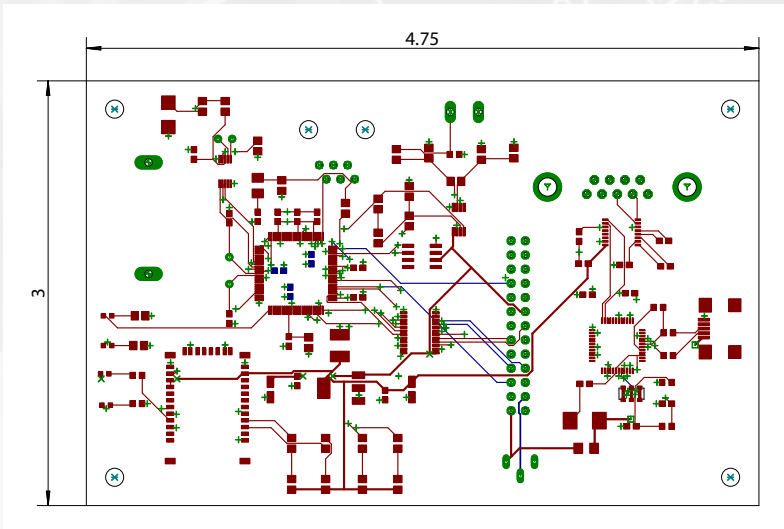
API ALLIANCE 14220 Plank Street Fort Wayne, IN 46818 www.apialliance.com

RMP 200

Programmable I/O Controller



"Partners in Production"
www.apialliance.com



About the RMP 200 Adaptable Product Controller

Cost effective PLC Alternative

The RMP200 is a field-ready development platform for the microchip PIC32MX microcontroller product. Customizable to meet any individual feature requests or deployable in its off-the-shelf form factor to meet your next application requirements. ICSP provided to download your compiled code. Faster time to market obtained by eliminating hardware development. Prototyping and testing from concept in one step.

FEATURES:

Processor:	MIPS32
System Platform:	PIC MX
User Available Flash:	512 KB
User Available RAM:	32kx8
GPIO:	18, 3.3V Digital with optional pullup
PWM:	0
Analog In:	2, 4-20mA sensor input
UART:	0
SPI:	0
USB Virtual Com Port:	2
Real Time Clock:	Yes
ICSP:	RJ11
Graphics with Touch Screen Display:	No



Designed and Assembled
in the U.S.A.

API ALLIANCE

www.apialliance.com
14220 Plank Street Fort Wayne, IN 46818